

# OF-ZAT/OF-ZZT Series



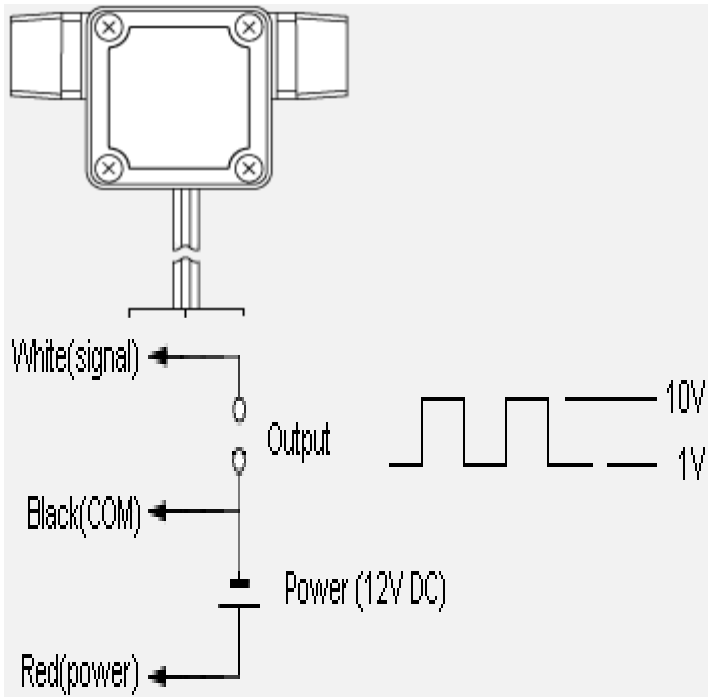
MICROSTREAM Sensor  
OF-ZAT/OF-ZZT

- [Feature](#)
- [Overview](#)
- [Dimensions](#)

Item		Model			
		OF05ZAT-AO	OF05ZZT-AO	OF10ZAT-AO	OF10ZZT-AO
Measurable fluid	Various fluids	Please select with reference to the following major materials of the fluid-touching materials.			
	Major fluids	water, kerosene, light oil, heavy oil	water, acid, alkali, organic solvents, etc.	water, kerosene, light oil, heavy oil	water, acid, alkali, organic solvents, etc.
Accuracy (standard installation position)		±2% RS			
Maximum working pressure		0.5MPa (35~85%RH)			
Fluid & Ambient temperature		-10 to 70°C (Freezing / dew condensation must be avoided)			
Flow-rate range (±1% RS)		0.3 - 0.8mPa·s(cP) --- 5 - 50L/h 0.8 - 2mPa·s(cP) --- 3 - 50L/h 2 - 5mPa·s(cP) --- 1 - 50L/h 5 - 200mPa·s(cP) --- 0.5 - 50L/h		0.3 - 0.8mPa·s(cP) --- 40 - 300L/h 0.8 - 2mPa·s(cP) --- 20 - 300L/h 2 - 5mPa·s(cP) --- 10 - 300L/h 5 - 200mPa·s(cP) --- 5 - 300L/h	
Pulse unit		0.46mL/p		2.5mL/p	
Power voltage		3 to 24 V DC			
Output signal		Pulse Voltage			
Connection		R1/4(External thread)		R1/2(External thread)	
Main materials		Rotor and casing: PPS Resin O-ring: NBR Shaft: SUS304	Rotor and casing: PPS Resin O-ring: FKM Shaft: S/S	Rotor and casing: PPS Resin O-ring: NBR Shaft: SUS304	Rotor and casing: PPS Resin O-ring: FKM Shaft: S/S

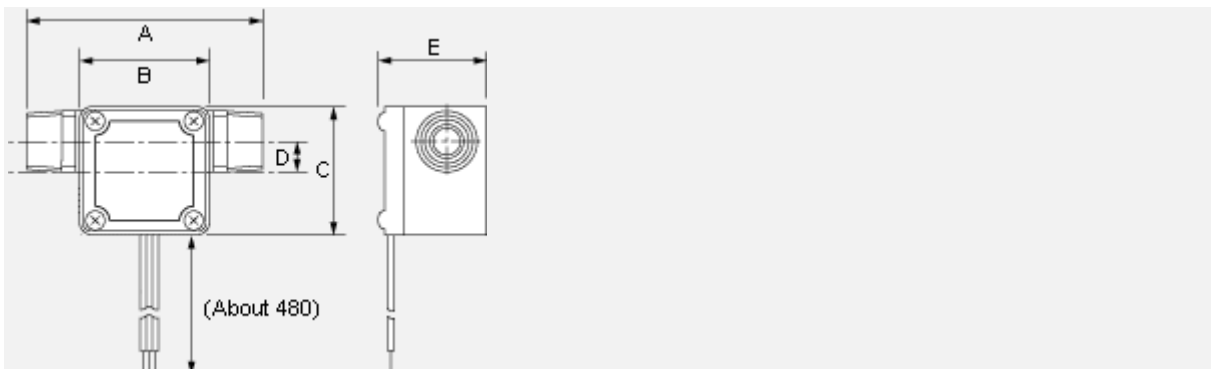
## Dimensions

### Connection method / Output pulse



When the 12V DC power '+' pole is covered to red, and the '-' pole is connected to black, a 'high=10V, low 1V' rectangular wave occurs between white and black.

## External Dimensions



	OF05	OF10
A	80	90
B	46.9	46.9
C	46.9	46.9
D	8	8.5
E	27.3	40.3

Specifications are subject to change without notice.